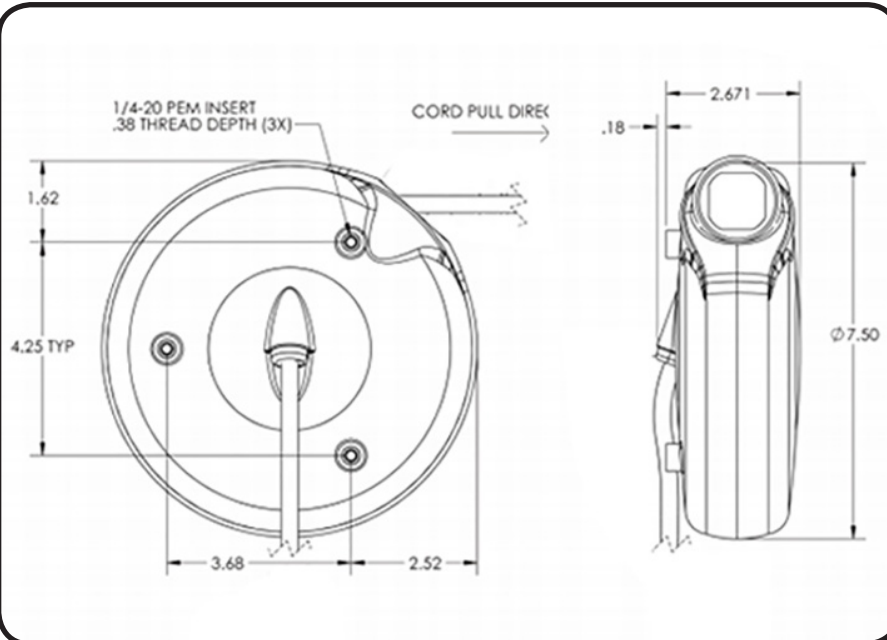


Stage Ninja[®] 10 Foot Medical Environment Retractable Reel w/ Static IEC Female Tap

Durable 14/3 retractable power cable with hospital grade plug in housing with antimicrobial agent. Static end is 16/3 power cable with IEC tap. Pull cable to desired length (it locks in place); give the cable another pull to unlock. Cable instantly retracts into protective housing.

Custom options available. Call 317-829-1507 to learn more.



WARNING

Read all instructions. Keep out of reach of children. The Stage Ninja[®] Retractable Cable Reel is not a toy! This product can cause injury including but not limited to burns, cuts, eye injuries, or amputation if cord is used improperly. Recoil can cause injuries, especially when recoil is unexpected. When unplugging from connection, hold the cable end when retracting to maintain control of recoil. Do not wrap cord around finger, neck, arm, leg or other appendage or body part. The retractable cord is for use by responsible adults only. Do not allow anyone to touch or encounter the reel while it is in use. Stop using the retractable cable reel if the cable becomes frayed, damaged, shows any other signs of wear and tear, or does not function properly. Do not attempt to repair the cord. Wear long pants to reduce the risk of burns and cuts from the retractable cord. Do not place hands, feet, head or any other appendage or body part near housing unit while the cord is extended. Please heed these warning and use retractable cable reel with caution.

Reel Material	Retraction length (US/M) / Connector	Reel Size / Color	Cord Color	Static Length / Connector
Durable High Impact Antimicrobial Plastic	10ft (3.05 m) / 5-15P Antimicrobial Hospital Grade Plug	7.5 Inch / White	Gray	18in (.45m) Single IEC 320 C-13 Female Tap
Weight	Constant Tension Available	Max Power	Mounting	Warranty
3 lbs / 1.4 kg	No	1250 Watts - 10 Amp 125 Volts	Wall / Ceiling	1 Year



Optional vertical mounting bracket available. See product VMB-7-S to order.